

Assembly Instruction - Double Bed

LF - DB01LR / V3P

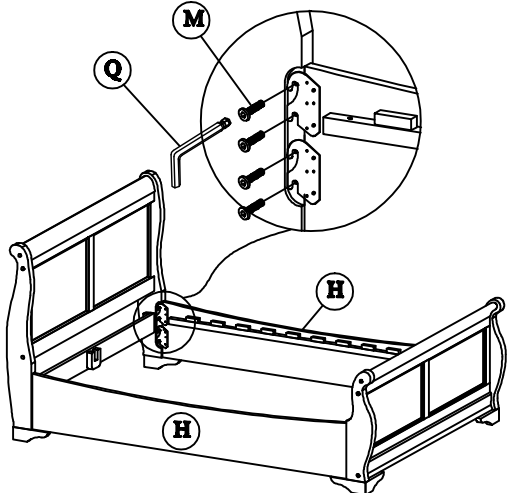
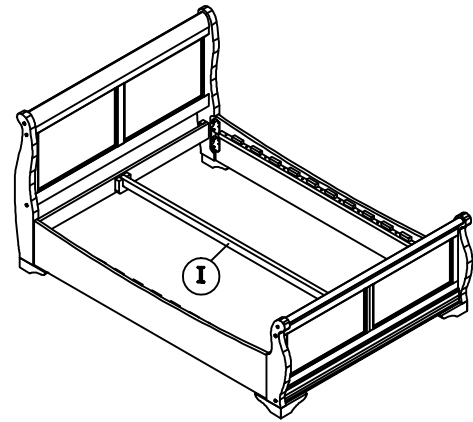

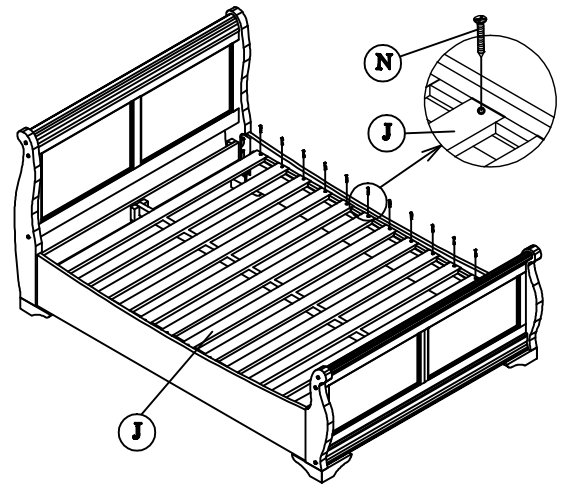
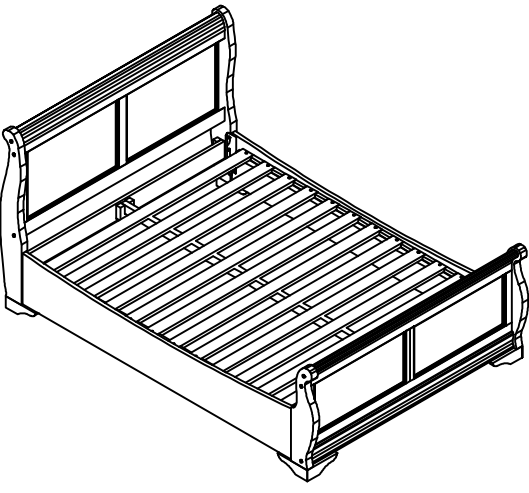




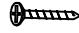


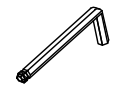
Part List

<p>1</p>	<p>2</p>	<p>A</p> <p>Headboard panel</p> <p>1 PC</p>
<p>3</p>	<p>4</p>	<p>B</p> <p>Footboard panel</p> <p>1 PC</p>
		<p>C</p> <p>Headboard Wood Leg (L/R)</p> <p>2 PCS</p>
		<p>D</p> <p>Footboard Wood Leg (L/R)</p> <p>2 PCS</p>
		<p>E</p> <p>Bottom Stretcher</p> <p>01 PC</p>
		<p>F</p> <p>Headboard Apron</p> <p>2 PCS</p>
		<p>G</p> <p>Footboard Apron</p> <p>2 PCS</p>
		<p>H</p> <p>Wood Side Rail</p> <p>2 PCS</p>

Assembly Instruction - Double Bed

LF - DB01LR / V3P

Part List

<p>5</p> 	<p>6</p> 	<p>I  Center Bar 1 PC</p>
<p>7</p> 	<p>8</p> 	<p>J  Wood slat 13 PCS</p>
		<p>K  Wood Button 12 PCS</p>
		<p>L  Bolt 45 mm 18 PCS</p>
		<p>M  Bolt 15 mm 16 PCS</p>
		<p>N  Chipboard Screw Ø4 x 30 mm 26 PCS</p>
		<p>O  Chipboard Screw Ø4 x 15 mm 8 PCS</p>
		<p>P  Bracket 2 PCS</p>
		<p>Q  M6 Allen Key 2 PCS</p>